

**BEACON LED LIGHT TOWER VERTICAL
MAST (LE980LEDV-TX SERIES)
REPLACEMENT PARTS GUIDE**



For more information about the Beacon LED Tower: www.beaconledtower.com

www.lindequipment.net | info@lindequipment.net | T: 877.475.LIND



SAFETY PRECAUTIONS

FAILURE TO FOLLOW THESE PRECAUTIONS COULD RESULT IN SERIOUS INJURY OR DEATH

MAINTENANCE PRECAUTIONS

- PERFORM DAILY INSPECTIONS OF THE EQUIPMENT TO ENSURE THAT NO DAMAGE EXISTS THAT MIGHT INTERFERE WITH SAFE OPERATIONS
- ENSURE THAT ANY DAMAGED COMPONENTS ARE REPLACED OR REPAIRED IMMEDIATELY USING FACTORY APPROVED PARTS
- BEFORE PERFORMING ANY MAINTENANCE TASKS, ENSURE THAT LIGHT TOWER HAS BEEN DISCONNECTED FROM ALL POWER SOURCES
- REMOVE ALL GENERATORS AND SOURCES OF FUEL FROM THE CABINET AND SURROUNDINGS AREA BEFORE UNDERTAKING ANY MAINTENANCE
- ONLY SKILLED TECHNICIANS WHO ARE FAMILIAR WITH THE OPERATION OF THE LED LIGHT TOWER SHOULD PERFORM MAINTENANCE TASKS ON THE LIGHT TOWER

OPERATING PRECAUTIONS

- DO NOT DEPLOY THE MAST IF THERE IS EXPECTATION OF HEAVY WINDS
- ENSURE THAT THE BEACON LED TOWER IS MADE LEVEL BEFORE DEPLOYING THE MAST. STABILIZATION JACKS CAN BE USED TO LEVEL THE UNIT
- DO NOT DEPLOY THE MAST UNTIL THE STABILIZATION JACKS HAVE BEEN EXTENDED FULLY AND ARE FIRMLY PLANTED ON THE GROUND
- KEEP CLOTHING, HAIR AND APPENDAGES CLEAR OF MOVING PARTS
- WHEN OPERATING THE MACHINE, DO NOT TOUCH HOT SURFACES OR EXPOSE COMBUSTABLE MATERIAL TO HOT SURFACES

TRANSPORTATION PRECAUTIONS

- DO NOT TRANSPORT THE BEACON LED TOWER WITH FUEL INSIDE THE CABINET
- USE APPROPRIATE FUEL HANDLING PRECAUTIONS AT ALL TIMES WHEN TRANSPORTING AND OPERATING FUEL TANKS AND GENERATORS
- MAST MUST BE FULLY RETRACTED AND LIGHT HEAD ASSEMBLY LOWERED AND REMOVED ENTIRELY PRIOR TO TRANSPORT
- MAST MUST BE FULLY RETRACTED AND LIGHT HEAD ASSEMBLY LOWERED OR REMOVED PRIOR TO TRANSPORT
- BEACON LED TOWER MUST BE TIED DOWN DURING TRANSPORTATION



ELECTRICAL PRECAUTIONS:

FAILURE TO FOLLOW THESE PRECAUTIONS COULD RESULT IN SERIOUS INJURY OR DEATH

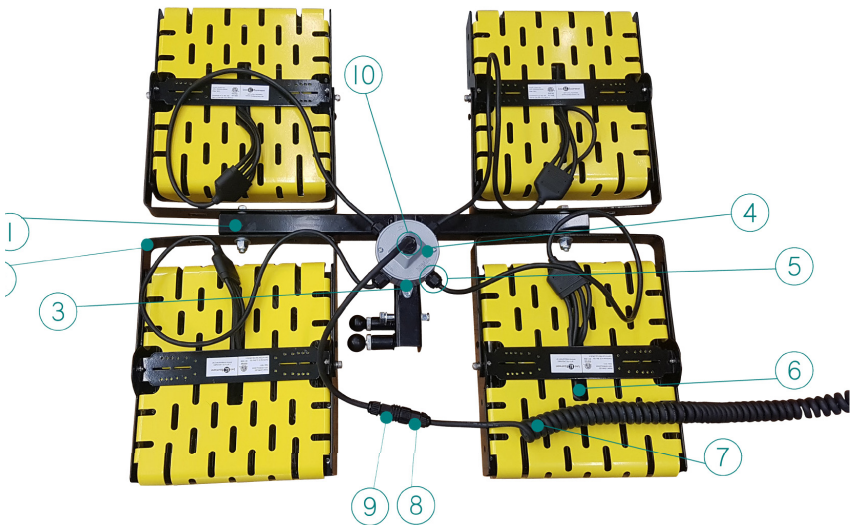
TRANSPORTATION PRECAUTIONS

- ENSURE THAT THE UNIT IS CLEAR OF OVERHEAD WIRES AND OBSTRUCTIONS BEFORE DEPLOYING THE UNIT
- DO NOT USE UNIT IF ELECTRICAL CORDS ARE CUT OR WORN THROUGH
- DO NOT ALLOW WATER TO CONTACT LIVE ELECTRICAL COMPONENTS. REGULAR INSPECTIONS SHOULD BE UNDERTAKEN TO ENSURE THAT ELECTRICAL COMPONENTS ARE IN GOOD OPERATING CONDITION
- WHEN UTILIZING A GENERATOR WITH THE BEACON LED TOWER FOLLOW ALL OPERATING INSTRUCTIONS PROVIDED BY THE GENERATOR MANUFACTURER INCLUDING PROPER GROUNDING PROCEDURES

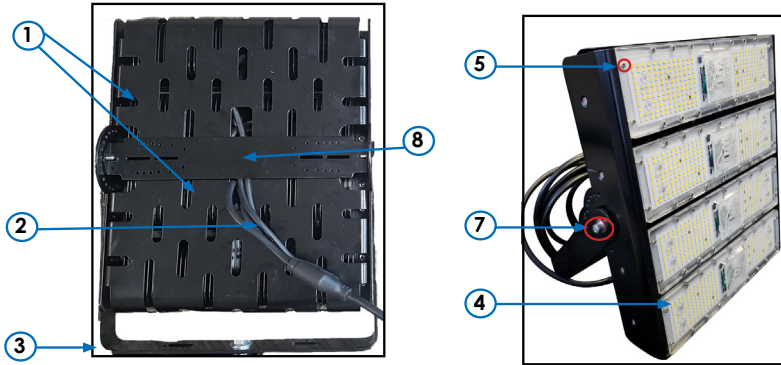
LIGHT HEAD ASSEMBLY

WHEN CALLING OR PLACING AN ORDER FOR PARTS, PLEASE MAKE SURE TO INCLUDE THE UNIT SERIAL #

| | PART NUMBER | DESCRIPTION | REQUIRED |
|----|--------------------|--|-----------------|
| 1 | LE980LEDV-T-P4B | COMPLETE T-BAR ASSEMBLY (NO LIGHTS) | 1 |
| 2 | LE980LED-P2A | MOUNTING YOKE | 1 per light |
| 3 | LE980LED-T-P6J | JUNCTION BOX | 1 |
| 4 | LE980LED-T-P6A | JUNCTION BOX COVER | 1 |
| 5 | LE980LED-T-P18C | STRAIN RELIEF - SMALL | 4 |
| 6 | LE980LED | YELLOW LED LIGHT HEAD WITH YOKE | 2 or 4 |
| | LE980LED-B | BLACK LED LIGHT HEAD WITH YOKE | 2 or 4 |
| 7 | LE980LED-T-P5 | 1/6" COILED CABLE FOR LED LIGHT CART | 1 |
| 8 | LE980LED-T-P31A | THREE WIRE CONNECTOR, BAYONNET STYLE LOCKING, FEMALE | 1 |
| 9 | LE980LED-T-P31B | THREE WIRE CONNECTOR, BAYONNET STYLE LOCKING, MALE | 1 |
| 10 | LE980LED-T-P18B | STRAIN RELIEF - MEDIUM | 1 |
| | LE980LEDV-T-LA2E | ENTIRE 2 LIGHT HEAD ASSEMBLY - YELLOW | 1 |
| | LE980LEDV-T-LAB2 | ENTIRE 2 LIGHT HEAD ASSEMBLY - BLACK | 1 |
| | LE980LEDV-T-LA4E | ENTIRE 4 LIGHT HEAD ASSEMBLY - YELLOW | 1 |
| | LE980LEDV-T-LAB4 | ENTIRE 4 LIGHT HEAD ASSEMBLY - BLACK | 1 |



LIGHT HEAD

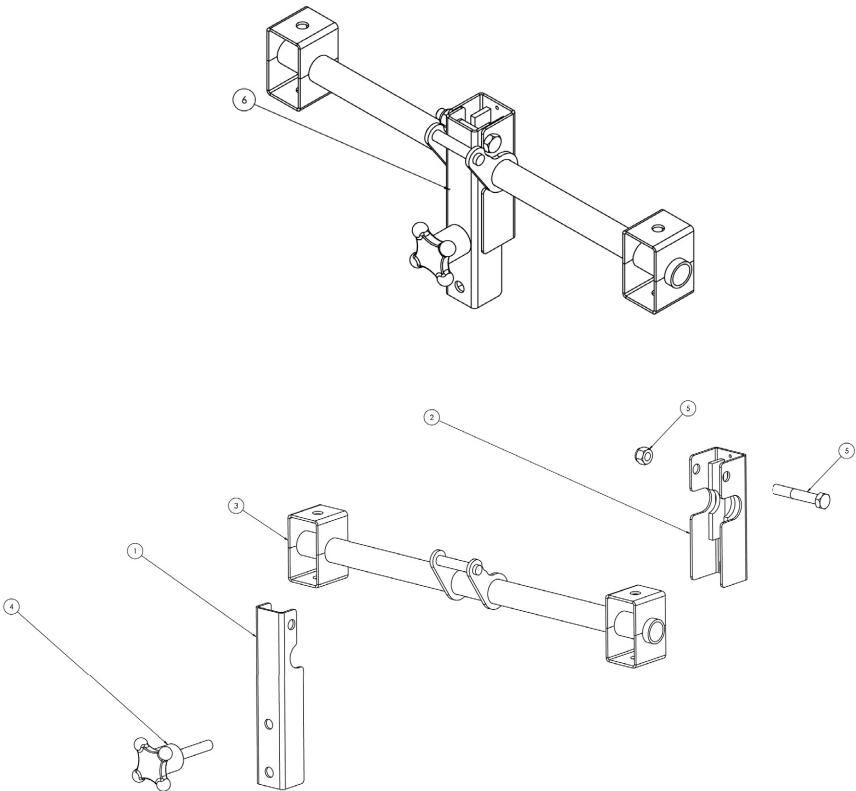


| | <u>Part#</u> | <u>Description</u> |
|---|----------------|--|
| 1 | LE980LED-P10B | Set of black back covers for LE980LED |
| | LE980LED-P10Y | Set of yellow back covers for LE980LED |
| 2 | LE980LED-P103 | 4 wire cord set for LE980LED |
| 3 | LE980LED-P2A-B | Replacement yoke for LE980 |
| 4 | LE980LED-P104 | Polycarbonate lens |
| 5 | LE980LED-P105 | Screw for polycarbonate lens (set of 18 screws for 1 lens) |
| 6 | LE980LED-P106 | Gasket for polycarbonate lens (not shown) |
| 7 | LE980LED-P107 | Screw for yoke |
| 8 | LE980LED-P108 | Plate for covering for back panels |

T-BAR

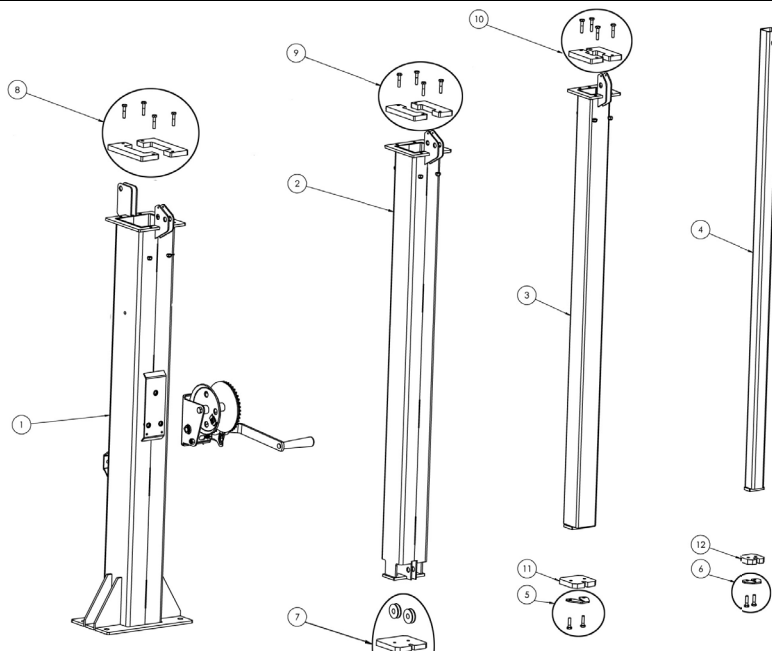
WHEN CALLING OR PLACING AN ORDER FOR PARTS, PLEASE MAKE SURE TO INCLUDE THE UNIT SERIAL #

| | <u>PART NUMBER</u> | <u>DESCRIPTION</u> | <u>REQUIRED</u> |
|---|---------------------------|--|------------------------|
| 1 | LE980LEDV-T-P2C | LAMP LIGHT ANGLE | 1 |
| 2 | LE980LEDV-T-P3C | LAMP, FLOATING, WITH NUT | 1 |
| 3 | LE980LEDV-T-P4S | UPPORT, LIGHT | 1 |
| 4 | LE980LEDV-T-P5K | NURLED KNOB, 5/16-18 x 1.2" LONG | 1 |
| 5 | LE980LEDV-T-P6 | CAP SCREW 1/2-13 x 3 GRADE 2 STEEL ZP <u>with</u> NUT, HEX, NYLOCK, 1/2-13, STEEL, ZINC PLATED | 1 |
| 6 | LE980LEDV-T-P4B | COMPLETE T-BAR ASSEMBLY | 1 |



MAST ASSEMBLY

| | <u>PART NUMBER</u> | <u>DESCRIPTION</u> | <u>REQUIRED</u> |
|----|--------------------|-----------------------------|-----------------|
| 1 | LE980LEDV-T-P13 | YELLOW MAST, STAGE ONE | 1 |
| | LE980LEDV-T-P13B | BLACK MAST, STAGE ONE | 1 |
| 2 | LE980LEDV-T-P14 | YELLOW MAST, STAGE TWO | 1 |
| | LE980LEDV-T-P14B | BLACK MAST, STAGE TWO | 1 |
| 3 | LE980LEDV-T-P15 | YELLOW MAST, STAGE THREE | 1 |
| | LE980LEDV-T-P15B | BLACK MAST, STAGE THREE | 1 |
| 4 | LE980LEDV-T-P16 | YELLOW MAST, STAGE FOUR | 1 |
| | LE980LEDV-T-P16B | BLACK MAST, STAGE FOUR | 1 |
| 5 | LE980LEDV-T-P17 | STAGE THREE CABLE MOUNT | 1 |
| 6 | LE980LEDV-T-P18 | STAGE FOUR CABLE MOUNT | 1 |
| 7 | LE980LEDV-T-P19 | BUSHING, STAGE TWO, LOWER | 1 |
| 8 | LE980LEDV-T-P20 | BUSHING, STAGE ONE | 2 |
| 9 | LE980LEDV-T-P21 | BUSHING, STAGE TWO, UPPER | 2 |
| 10 | LE980LEDV-T-P22 | BUSHING, STAGE THREE, UPPER | 2 |
| 11 | LE980LEDV-T-P23 | BUSHING, STAGE THREE, LOWER | 1 |
| 12 | LE980LEDV-T-P24 | BUSHING, STAGE FOUR, LOWER | 1 |



WINCH CABLES

| | PART# | DESCRIPTION | QTY |
|---|------------------|--|------------|
| 1 | LE980LEDV-T-P21A | REPLACEMENT WINCH CABLE FOR STAG E 1-2 | 1 |
| 2 | LE980LEDV-T-P21B | REPLACEMENT WINCH CABLE FOR STAGE 2-3 | 1 |
| 3 | LE980LEDV-T-P21D | REPLACEMENT WINCH CABLE FOR STAGE 3-4 | 1 |

MAIN CHASSIS ASSEMBLY

| | PART# | DESCRIPTION | QTY |
|----|------------------|---|------------|
| 1 | LE980LEDV-T-P1B | FIXED TOWER BASE | 1 |
| 2 | LE980LEDV-T-P7 | GENERATOR COVER | 1 |
| 3 | LE980LED-T-P2SC | CASTER, 10 INCH, SWIVEL, NO BRAKE | 2 |
| 4 | LE980LED-T-P2FC | CASTER, 10 INCH, FIXED | 2 |
| 5 | LE980LEDV-T-P11B | OUTRIGGER ASSEMBLY (JACK AND SLIDING BRACKET) | 4 |
| 6 | LE980LED-T-P34 | PULL PIN | 4 |
| 7 | LE980LEDV-T-P8 | ENTIRE MAST ASSEMBLY WITH WINCH (YELLOW) | 1 |
| 8 | LE980LEDV-T-P8B | ENTIRE MAST ASSEMBLY WITH WINCH (BLACK) | 1 |
| 9 | LE980LEDV-T-P12B | ENCLOSURE REMOVABLE (BLACK) | 1 |
| 10 | LE980LEDV-T-P12Y | ENCLOSURE REMOVABLE (YELLOW) | 1 |
| 11 | LE980LEDV-T-P4B | COMPLETE BAR ASSEMBLY | 1 |
| 12 | LEDB-P30 | OUTLET BOX | 1 |
| 13 | LE980LED-T-P7 | GFCI OUTLET AND SWITCH | 1 |
| 14 | LEDB21 | DUPLEX WEATHERPROOF COVER | 1 |
| 15 | LE980LED-T-P8A | STRAIN RELIEF, 1/2 CONDUIT | 1 |

